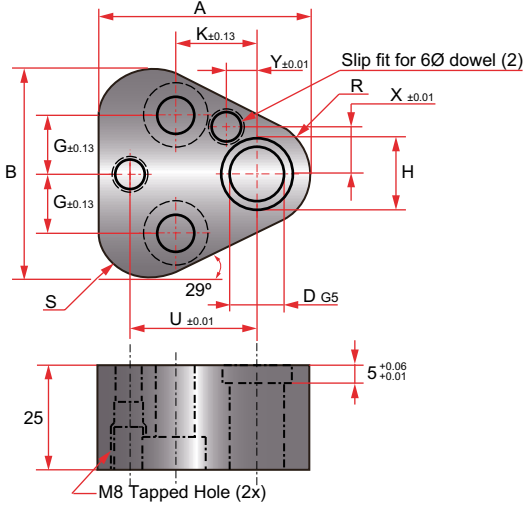
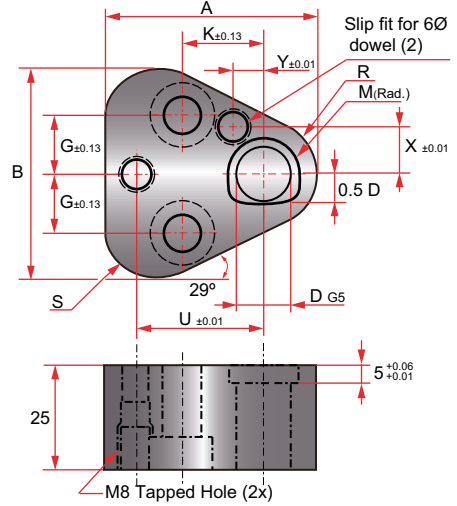


Headed punch retainers ISO 8020  
Base porta-punzones ISO 8020

## SRRT



## SRRTS



Hardness approximately 42 HRC

2 Tapped dowels+ 2 Screws Includes

Type	Code	D	A	B	SRRT H	G	K	SRRTS M	R	S	U	X	Y	Screw
SRRT/SRRTS	10	10,00	44,5	43,7	14,00	11,1	19,0	7,0	9,5	12,00	26,925	9,0	7,50	M8
SRRT/SRRTS	13	13,00	50,8	50,0	17,00	14,3	19,0	8,5	12,7	15,20	29,970	12,0	6,50	M8
SRRT/SRRTS	16	16,00	54,0	53,2	20,00	15,9	19,0	10,0	14,3	16,80	31,750	13,5	6,00	M8
SRRT/SRRTS	20	20,00	60,3	59,5	24,00	17,5	19,0	12,0	17,5	20,00	33,530	16,5	5,00	M10
SRRT/SRRTS	25	25,00	69,9	69,1	29,00	19,8	23,8	14,5	22,2	24,70	40,640	22,0	7,00	M12
SRRT/SRRTS	32	32,00	69,9	69,1	36,00	19,8	23,8	18,0	22,2	24,70	40,460	22,0	7,00	M12

How to order: Type D/Code. Example: SRRT/10  
Forma de pedido: Type D+Code Ejemplo: SRRT/10

D	1,8 (soft)	4,8 (HRC 55)
	REF.	REF.
10	SRSP/10-18	SRBP/10-48
13	SRSP/13-18	SRBP/13-48
16	SRSP/16-18	SRBP/16-48
20	SRSP/20-18	SRBP/20-48
25	SRSP/25-18	SRBP/25-48
32	SRSP/32-18	SRBP/32-48

How to order: REF. Example: SRSP/20-18  
Forma de pedido: REF. SRSP/20-18

## Shim Plates

